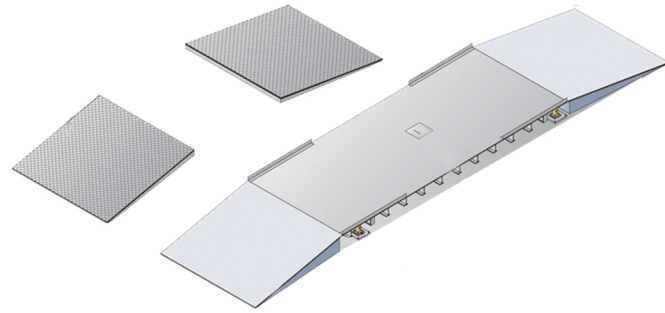
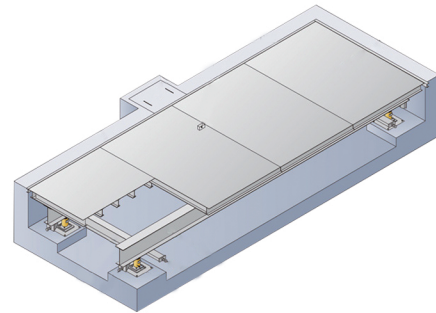


# Truck Scale



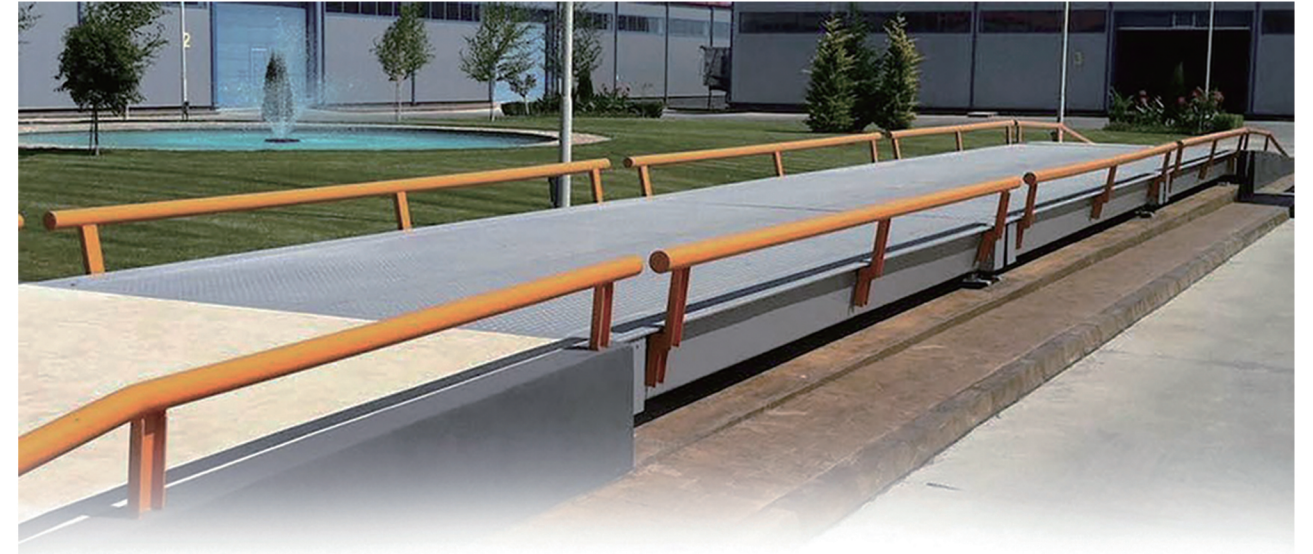
Above-board



Pit-Mounted

Model	SCS-10	SCS-20	SCS-30	SCS-40	SCS-50	SCS-60	SCS-80	SCS-100	SCS-120	SCS-150	SCS-200
Max Capacity(T)	10	20	30	40	50	60	80	100	120	150	200
Standard Division(Kg)	5	10	10	10	20	20	20	50	50	50	50
Accurate Division(Kg)	2	2	5	5	5	5	10	10	10	20	20
Platform Size: W x L (M)	Optimization Specification										
3x6	★	★	★	★	★						
3x7	★	★	★	★	★	★					
3x8			★	★	★	★					
3x9			★	★	★	★					
3x10			★	★	★	★					
3x12			★	★	★	★	★				
3x14				★	★	★	★				
3x16					★	★	★	★			
3x18						★	★	★	★		
3.4x16					★	★	★	★			
3.4x18						★	★	★	★		
3.4x21								★	★	★	★
3.4x24								★	★	★	★

**NOTE: Sizes and colors can be customized according to your needs.**



## Specifications

Material: carbon steel  
 Capacity: 10~200T  
 Division: 5~50kg  
 Accuracy: C3  
 Safe Load: 150%F.S.

## Features

- Heavy duty U beam structure with 10mm/12mm checked plated
- Large capacity up to 120 ton
- Design with free combination modules (Perfect for container shipping)
- (Optional digital load cells)
- Optional 3m or 3.4m width
- Optional railings and ramps
- Epoxy painting for long-term use

